

AP105201

DIE SET FOR CONNECTOR A7731ABHD3

	<p>For more information please call 1-800-Belden1</p> <p><u>See Put-ups and Colors</u></p> <p>Related Documents: Connector Termination .pdf</p>
--	--

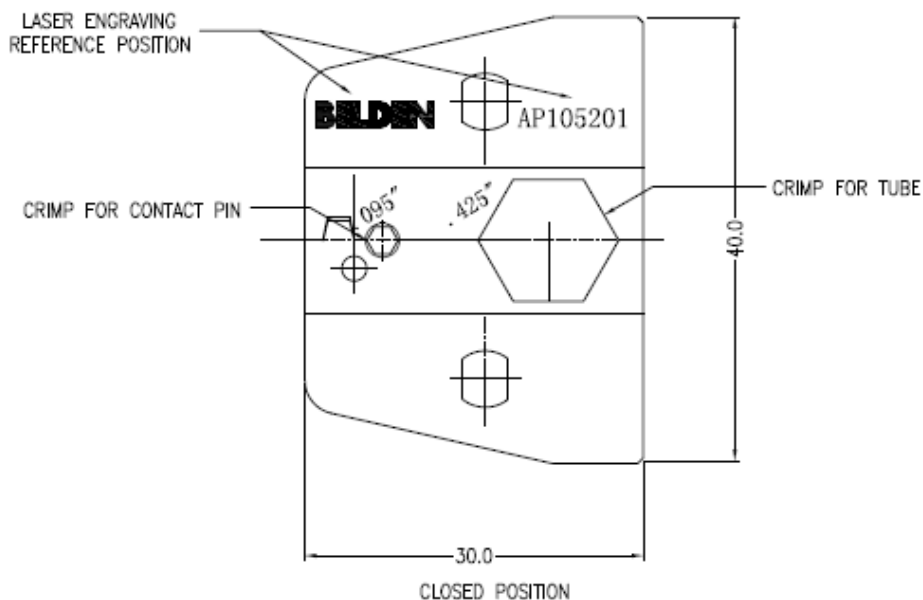
Description:

Die Set matched with AP105200, suit to Connector A7731ABHD3.

PHYSICAL CHARACTERISTICS:

Applicable Cable	Belden coaxial cable 7731A
Applicable Connector	Belden BNC Connector A7731ABHD3
Matched Crimper	AP105200
Body Material	Carbon tool steel

DIMENSIONS/ (mm):



7731A SPECIAL PRESSING BLOCK

AP105201

DIE SET FOR CONNECTOR A7731ABHD3

ITEMS AND PUT-UPS:

Item	Description	Matched Cable	Matched Connector	Matched Crimper	Put ups
AP105201	DIE SET FOR CONNECTOR A7731ABHD3	7731A	A7731ABHD3	AP105200	1 pcs

Revision Number: 1

Revision Date: 1/7/2016

©Copyright 2016 Belden, Inc
All Rights Reserved.

Although Belden ("Belden") makes every reasonable effort to ensure their accuracy at the time of this publication, information and specifications described herein are subject to error or omission and to change without notice, and the listing of such information and specifications does not ensure product availability.

Belden provides the information and specifications herein on an "AS IS" basis, with no representations or warranties, whether express, statutory or implied. In no event will Belden be liable for any damages (including consequential, indirect, incidental, special, punitive, or exemplary damages) whatsoever, even if Belden has been advised of the possibility of such damages, whether in an action under contract, negligence or any other theory, arising out of or in connection with the use, or inability to use, the information or specifications described herein.

All sales of Belden products are subject to Belden's standard terms and conditions of sale.

Belden believes this product to be in compliance with the following environmental regulations: California Proposition 65 Consent Judgment For Wire & Cable Mfgs.(San Francisco Superior Court Nos. 312962 And 320342); EU RoHS (Directive 2002/95/EC, 27-Jan2003); Material manufactured prior to the compliance date may still be in stock at Belden facilities and in our Distributor's inventory. EU ELV (Directive 2000/53/EC, 18-Sept-2000); EU WEEE (Directive 2002/96/EC, 27-Jan-2003); And EU BFR (Directive 2003/11/EC, 6-Feb2003). The information provided in this Product Disclosure, and the identification of materials listed as reportable or restricted within the Product Disclosure, is correct to the best of Belden's knowledge, information and belief at the date of its publication. The information provided in the Product Disclosure is designed only as a general guide for the safe handling, storage, and any other operation of the product itself or the one that it becomes a part of. This Product Disclosure is not to be considered a warranty or quality specification. Regulatory information is for guidance purposes only. Product users are responsible for determining the applicability of legislation and regulations based on their individual usage of the product.