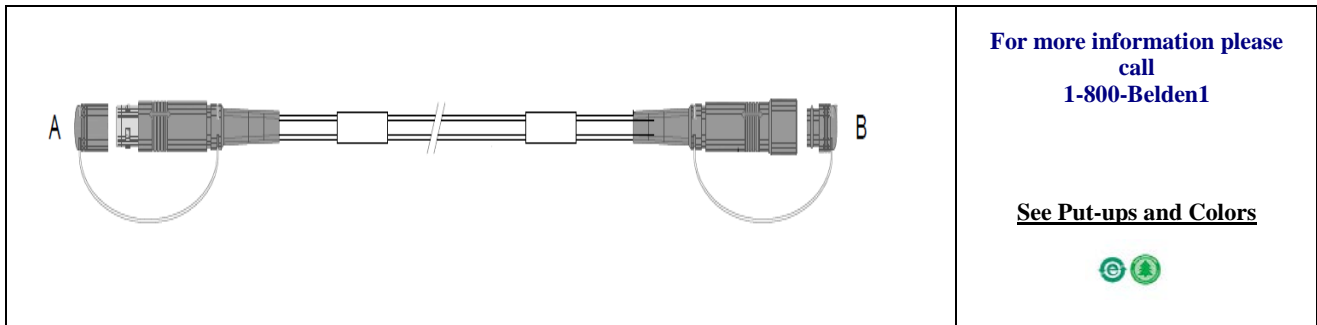


Sxxxx Series

SMPTE ASSEMBLIES



Description:

SMPTE assemblies, Composite cable 7804S (4C power conductors, 2C tinned copper conductors and 2x SM fiber) with LEMO specified connectors.

PHYSICAL CHARACTERISTICS:

Cable Receptacle	LEMO Specified FUW (FUW.3K.93C.TLEC96)
Cable Plug	LEMO Specified PUW (PUW.3K.93C.TLEC96)
Cable	Belden Specified 7804S

ELECTRICAL CHARACTERISTICS:

Max. Insertion Loss for Connector Optical parts	0.5 dB
Min. Return Loss for Connector Optical parts	-45dB
Nom. Cable Optical Attenuation (@1310mm)	0.45 dB/km

MECHANICAL CHARACTERISTICS:

Nominal diameter of Cable 7804S	9.2 mm
Min. Cable Retention Force	700N
Min. Cable Bending Radius	7*Cable OD (Nominal 9.2mm)
Humidity	0% to 90% R.H.

ENVIRONMENTAL CHARACTERISTICS:

Temperature Range	- 40°C to + 70°C
-------------------	------------------

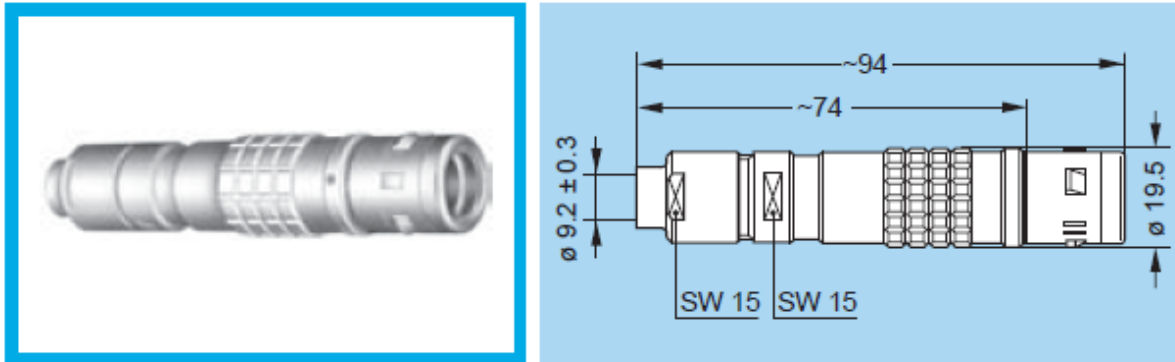
APPLICABLE STANDARDS:

SMPTE Specification	SMPTE 304M, SMPTE 311M
Other Specification	EIA/TIA 455
EU RoHS Compliant (Y/N)	Y
EU RoHS Compliance Date	Mar 2008

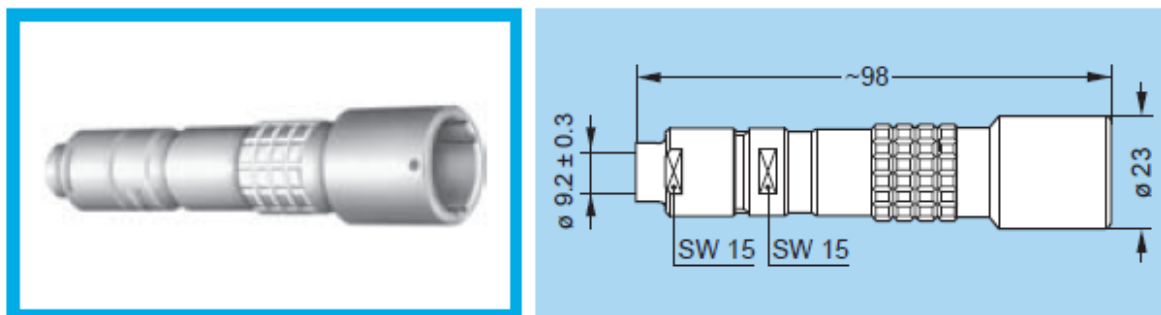
Sxxxx Series

SMPTE ASSEMBLIES

DIMENSIONS FOR LEMO CONNECTORS:



Cable Receptacle (FUW) drawing



Cable Plug (PUW) Drawing

Materials: (numbering chart)

SMPTE ASSEMBLY	Connector 1	Cable Product Code	Connector 2	Length
S	A1	7804S	B1	022
A1- LEMO FUW.3K.93C.TLEC96		7804S - 7804S cable	B1- LEMO PUW.3K.93C.TLEC96	022- 22m

Sxxxx Series

SMPTE ASSEMBLIES

SOME STANDARD PRODUCTS WITH DESCRIPTION:

Item	Description	Colour	Length
SA17804SB1010	BELDEN 7804S- INDUSTRY STANDARD-FT4, LEMO-FUW.3K.93C.TLEC96, LEMO-PUW.3K.93C.TLEC96, Black, 10M	BLACK	10M
SA17804SB1050	BELDEN 7804S- INDUSTRY STANDARD-FT4, LEMO-FUW.3K.93C.TLEC96, LEMO-PUW.3K.93C.TLEC96, Black, 50M	BLACK	50M
SA17804SB1100	BELDEN 7804S- INDUSTRY STANDARD-FT4, LEMO-FUW.3K.93C.TLEC96, LEMO-PUW.3K.93C.TLEC96, Black, 100M	BLACK	100M

*Individually packaged in a reel or a hollow shaft.

Revision Number: 1

Revision Date: 01/12/2016

©Copyright 2016 Belden, Inc
All Rights Reserved.

Although Belden ("Belden") makes every reasonable effort to ensure their accuracy at the time of this publication, information and specifications described herein are subject to error or omission and to change without notice, and the listing of such information and specifications does not ensure product availability.

Belden provides the information and specifications herein on an "AS IS" basis, with no representations or warranties, whether express, statutory or implied. In no event will Belden be liable for any damages (including consequential, indirect, incidental, special, punitive, or exemplary damages) whatsoever, even if Belden has been advised of the possibility of such damages, whether in an action under contract, negligence or any other theory, arising out of or in connection with the use, or inability to use, the information or specifications described herein.

All sales of Belden products are subject to Belden's standard terms and conditions of sale.

Belden believes this product to be in compliance with the following environmental regulations: California Proposition 65 Consent Judgment For Wire & amp; Cable Mfgs.(San Francisco Superior Court Nos. 312962 And 320342); EU RoHS (Directive 2002/95/EC, 27-Jan2003); Material manufactured prior to the compliance date may still be in stock at Belden facilities and in our Distributor's inventory. EU ELV (Directive 2000/53/EC, 18-Sept-2000); EU WEEE (Directive 2002/96/EC, 27-Jan-2003); And EU BFR (Directive 2003/11/EC, 6-Feb2003). The information provided in this Product Disclosure, and the identification of materials listed as reportable or restricted within the Product Disclosure, is correct to the best of Belden's knowledge, information and belief at the date of its publication. The information provided in the Product Disclosure is designed only as a general guide for the safe handling, storage, and any other operation of the product itself or the one that it becomes a part of. This Product Disclosure is not to be considered a warranty or quality specification. Regulatory information is for guidance purposes only. Product users are responsible for determining the applicability of legislation and regulations based on their individual usage of the product.